

We build a better future



■ Photo may include optional equipment

HYUNDAI DIESEL FORKLIFT TRUCKS - Stage IIIB emissionised engine

50/60/70D-7A

 **HYUNDAI**
HEAVY INDUSTRIES EUROPE



■ Photo may include optional equipment

NEW Diesel Engine Forklift Trucks

Your satisfaction is our Priority

50/60/70D-7A



Full Equipment



Reliable KUBOTA V3800 engine



Efficient cooling system



High-output air conditioner

The new Job site master

The efficient and ergonomically designed
50D-7A / 60D-7A / 70D-7A are made to fit you needs.



Powerful and Proven **KUBOTA V3800 Engine**

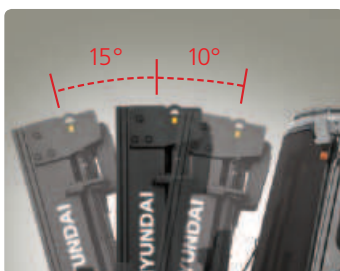
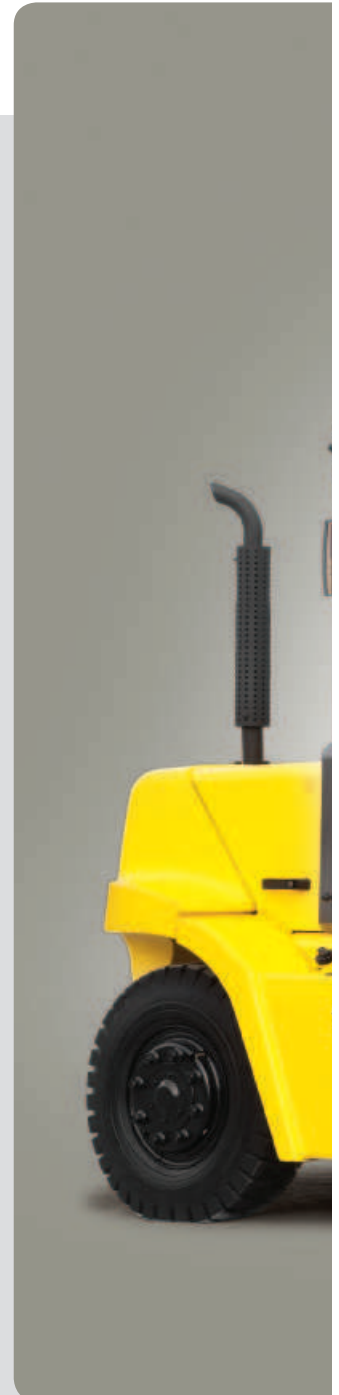
Excellent torque on low idle makes the operator comfortable lowering the level of noise, vibration and smoke.
The enhanced lower fuel consumption rates will provide economic operation.
This engine meets EU stage IIIB and EPA Tier-IV Interim emission regulations.

78.7 KW / 2,200 rpm
38 kgf.m / 1,500 rpm



Full-automatic Transmission

The high quality ZF transmission has proven its durability and ease of use together with soft and smooth gear changes.
The operator can select two stage of full automatic modes. (1stage : 1st <—> 3rd, 2stage : 2nd <—> 3rd)



Increased mast tilting angle

Utilizing the mast tilting angle of 15 degrees forward and 10 degrees backward gives the operator a safe and rapid platform for loading and unloading jobs.



Wet disc brake system

Wet disc brakes improve the brake performance and make your service intervals longer. Enclosed brakes are protected against dust and water.



Fully hydrostatic power steering

A hydraulic steering system always guarantees smooth and flexible steering, preventing overrun and steering wheel kick-back.



Key-locking fuel filler

Increased security on job sites using a locking fuel cap, plus an increased capacity fuel tank for less down time gives you optimum availability of your truck.



■ Photo may include optional equipment

Faster travel speed & better gradeability

The powerful engine combines fast acceleration with high travel speed and excellent gradeability.



Gradeability (Loaded)

50D-7A : 59 %
60D-7A : 50.6 %
70D-7A : 44.2 %

Travel speed (Unloaded)

50D-7A : 32.9 km/h
60D-7A : 32.8 km/h
70D-7A : 32.8 km/h

Comfortable operation!

A design based on human engineering relieves fatigue and increases operator's efficiency.

Operator friendly gauges and water-resistant monitor panel

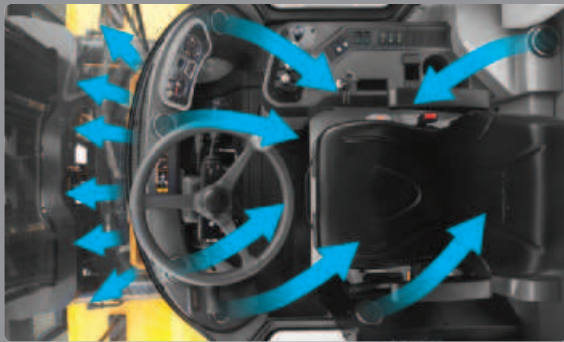


USB MP3 player



Easily adjustable suspension seat

An attractive and adjustable seat, based on a human engineering design, provides great comfort, safety and durability.



High-capacity air conditioner & heater



Centralized Instrument switch Panel



Load Indicator (Option)

The weight of the load is displayed on the screen. The driver is alerted when he is overloading the machine.



Easy control levers

Newly applied hydraulic remote control system reduced operator's effort for MCV levers by half.



Adjustable steering wheel

Steering wheel can be adjusted by a lever on the right-hand side for the most comfortable operator position.



■ Photo may include optional equipment



Easy and safe shift lever

A single lever on the left side of the steering column gives the operator fast and easy control of speed and travel direction. The engine can only be started in case of neutral position of this lever.



Multi-function switch lever

A multi-functional switch lever gives easy access to lights and horn.



Ergonomical positioned pedals

Based on human engineering, the accelerator, brake and inching pedals are optimally positioned.

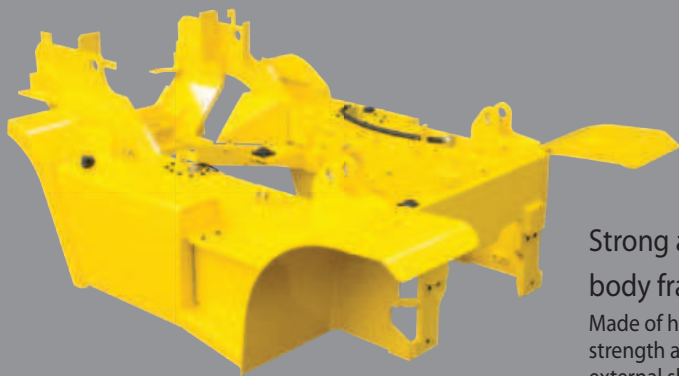


Improved parking brake

The electric power to travel will automatically be intercepted when parking brake engaged even if forward of reverse lever operated.

Safety through high durability!

Safety and durability are priorities in design of our equipment.



Strong and compact single body frame

Made of high-tension steel has a superior strength and protects the inner components from external shocks.



Highly durable split type drive axle

The durable drive axle provides fast travel speed and quiet travel under any heavy load condition, and boosts work efficiency.



Efficient cooling system

Aluminum radiator provides excellent cooling capacity with improved air flow.



Large footboard & handle

Wide "open" step offers convenience and safety when entering and exiting your truck.



Enlarged mirror

The enlarged mirror provides improved visibility ensuring safety.(185 x 320 mm —> 260 x 340 mm)



Full lighting

In order to provide the driver visibility in all circumstances work lamps are standard both to the front and to the back.



■ Photo may include optional equipment



Expansion bellows

Sufficient length of bellows pipe between exhaust pipe and engine exhaust manifold certifies the durability of muffler and exhaust pipe.



OPSS (Operator Presence Sensing System)

Control of mast tilting, lifting and lowering and all of aux. functions are not possible through operation of the appropriate control when the operator is not in the normal position. (Option)



Grease fittings

Grease fittings are installed for easy access to steering axle center pin when doing service checks.

Centralized design for easy service!

An ideal arrangement of components ensures easy access for service and maintenance.



Large engine hood

Highly accessible engine compartment assures fast and efficient maintenance.



Dual element air cleaner (8")

The air filter is readily accessible for cleaning or replacement. The large size of air cleaner extend the life time of engine.



Cabin air fresh filter

The pressure inside the cabin is slightly higher then outside. This excludes dust from the cabin and reduces noise levels.



Cabin Tilting automatic system

Cabin tilting electronic system makes servicing of all power train components quick and easy. An electrically assisted hydraulic actuated cylinder tilts operator cabin to left side about 54 degrees for easy access to inside of truck components.



Mechanic Friendly Fuel Filter Replacement

Highly accessible engine compartment allows for quick replacement of filters.



Electrically monitored air filter

To avoid any damage, a sensor alerts the driver when the air filter is clogged.



Compact fuse box for easy inspection



■ Photo may include optional equipment



Maintenance free battery



Easy-to-access reservoir tank



Large tool box
Additional tool box located on machine side for operator's convenience.



Wing cover locking system

Mast specifications (50/60/70D-7A)

Model	Mast Type	Maximum Fork Height	Overall Height				Free Lift		Tilt Angle Forward / Backward	Load Capacity without side shift at 600 mm LC	Load Capacity with side shift at 600 mm LC	Truck Weight (Unloaded)
			Lowered	Extended		Without Load Backrest	With Standard Load Backrest					
				Without Load Backrest	With Standard Load Backrest							
(mm)	(mm)	(mm)	(mm)	(mm)	(mm)	(mm)	(deg)	(kg)	(kg)	(kg)		
50D-7A	2-Stage Limited free lift	V270	2730	2365	3691	4020	140	140	15 / 10	5000	5000	8382
		*V300	3030	2515	3991	4320	140	140	15 / 10	5000	5000	8430
		V330	3330	2665	4291	4620	140	140	15 / 10	5000	5000	8477
		V350	3530	2765	4491	4820	140	140	15 / 10	5000	5000	8509
		V370	3730	2865	4691	5020	140	140	15 / 10	5000	5000	8541
		V400	4030	3015	4991	5320	140	140	15 / 10	5000	5000	8597
		V450	4530	3315	5491	5820	140	140	15 / 10	5000	5000	8825
		V500	5030	3565	5991	6320	140	140	15 / 10	5000	5000	8904
		V550	5530	3815	6491	6820	140	140	15 / 10	5000	5000	8984
		V600	6030	4065	6991	7320	140	140	15 / 10	5000	5000	9062
	V700	7030	4565	7991	8320	140	140	15 / 6	4900	4850	9218	
	3-Stage full free lift	TF/TS450	4560	2565	5545	5805	1580	1275	15 / 10	5000	5000	9016
		TF/TS500	5060	2765	6045	6305	1780	1475	15 / 10	5000	5000	9108
		TF/TS560	5600	2965	6585	6845	1980	1675	15 / 10	5000	4900	9219
TF/TS600		6060	3165	7045	7305	2180	1875	15 / 10	5000	4800	9306	

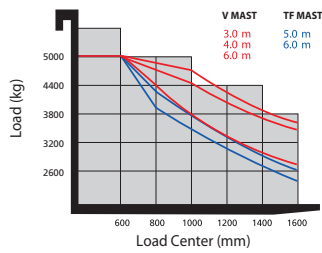
Model	Mast Type	Maximum Fork Height	Overall Height				Free Lift		Tilt Angle Forward / Backward	Load Capacity without side shift at 600 mm LC	Load Capacity with side shift at 600 mm LC	Truck Weight (Unloaded)
			Lowered	Extended		Without Load Backrest	With Standard Load Backrest					
				Without Load Backrest	With Standard Load Backrest							
(mm)	(mm)	(mm)	(mm)	(mm)	(mm)	(mm)	(deg)	(kg)	(kg)	(kg)		
60D-7A	2-Stage Limited free lift	V270	2730	2365	3911	4020	140	140	15 / 10	6000	6000	9131
		*V300	3030	2515	4211	4320	140	140	15 / 10	6000	6000	9179
		V330	3330	2665	4511	4620	140	140	15 / 10	6000	6000	9227
		V350	3530	2765	4711	4820	140	140	15 / 10	6000	6000	9258
		V370	3730	2865	4911	5020	140	140	15 / 10	6000	6000	9290
		V400	4030	3015	5211	5320	140	140	15 / 10	6000	6000	9346
		V450	4530	3315	5711	5820	140	140	15 / 10	6000	6000	9574
		V500	5030	3565	6211	6320	140	140	15 / 10	6000	6000	9654
		V550	5530	3815	6711	6820	140	140	15 / 10	6000	6000	9733
		V600	6030	4065	7211	7320	140	140	15 / 10	6000	6000	9811
	V700	7030	4565	8211	8320	140	140	15 / 6	6000	5900	9968	
	3-Stage full free lift	TF/TS450	4560	2565	5765	5805	1360	1275	15 / 10	6000	6000	9782
		TF/TS500	5060	2765	6265	6305	1560	1475	15 / 10	6000	6000	9874
		TF/TS560	5600	2965	6805	6845	1760	1675	15 / 10	5950	5900	9985
TF/TS600		6060	3165	7265	7305	1960	1875	15 / 10	5800	5750	10073	

Model	Mast Type	Maximum Fork Height	Overall Height				Free Lift		Tilt Angle Forward / Backward	Load Capacity without side shift at 600 mm LC	Load Capacity with side shift at 600 mm LC	Truck Weight (Unloaded)
			Lowered	Extended		Without Load Backrest	With Standard Load Backrest					
				Without Load Backrest	With Standard Load Backrest							
(mm)	(mm)	(mm)	(mm)	(mm)	(mm)	(mm)	(deg)	(kg)	(kg)	(kg)		
70D-7A	2-Stage Limited free lift	V270	2730	2365	3911	4020	140	140	15 / 10	7000	7000	9937
		*V300	3030	2515	4211	4320	140	140	15 / 10	7000	7000	9985
		V330	3330	2665	4511	4620	140	140	15 / 10	7000	7000	10032
		V350	3530	2765	4711	4820	140	140	15 / 10	7000	7000	10064
		V370	3730	2865	4911	5020	140	140	15 / 10	7000	7000	10096
		V400	4030	3015	5211	5320	140	140	15 / 10	7000	7000	10152
		V450	4530	3315	5711	5820	140	140	15 / 10	7000	7000	10380
		V500	5030	3565	6211	6320	140	140	15 / 10	7000	7000	10459
		V550	5530	3815	6711	6820	140	140	15 / 10	7000	7000	10539
		V600	6030	4065	7211	7320	140	140	15 / 10	7000	7000	10617
	V700	7030	4568	8211	8320	140	140	15 / 6	6900	6900	10774	
	3-Stage full free lift	TF/TS450	4560	2565	5765	5805	1360	1275	15 / 10	7000	7000	10588
		TF/TS500	5060	2765	6265	6305	1560	1475	15 / 10	7000	7000	10681
		TF/TS560	5600	2965	6805	6845	1760	1675	15 / 10	6900	6900	10791
TF/TS600		6060	3165	7265	7305	1960	1875	15 / 10	6700	6700	10879	

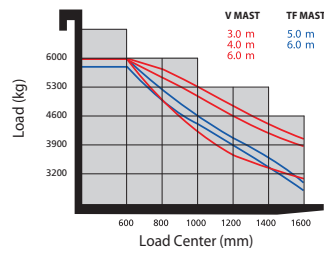
*Standard

Load Capacity

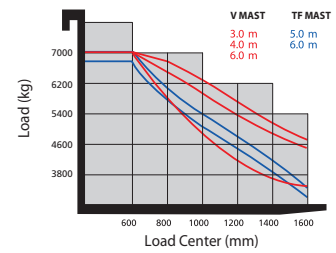
50D-7A



60D-7A



70D-7A



Optional items

• FORK (L x W x T) (mm)

Hook Type

50D-7A

- 1,350 x 150 x 60 • 1,500 x 150 x 60 • 1,800 x 150 x 60
- 2,000 x 150 x 60 • 2,400 x 150 x 60

60D-7A

- 1,350 x 150 x 65 • 1,500 x 150 x 65 • 1,800 x 150 x 65
- 2,000 x 150 x 65 • 2,400 x 150 x 65

70D-7A

- 1,350 x 150 x 65 • 1,500 x 150 x 65 • 1,800 x 150 x 65
- 2,000 x 150 x 65 • 2,400 x 150 x 65

Shaft Type

50D-7A

- 1,350 x 150 x 60 • 1,500 x 150 x 60 • 1,800 x 150 x 60
- 2,000 x 150 x 60 • 2,400 x 150 x 60

60D-7A

- 1,350 x 180 x 60 • 1,500 x 180 x 70 • 1,800 x 180 x 70
- 2,000 x 180 x 70 • 2,400 x 180 x 70

70D-7A

- 1,350 x 180 x 60 • 1,500 x 180 x 70 • 1,800 x 180 x 70
- 2,000 x 180 x 70 • 2,400 x 180 x 70

• Over shoe (mm) : 1,800 / 2,000 / 2,200 / 2,300

• Tire : Pneumatic(std) / Solid / Non-Marking

• Seat : Seatbelt, Arm rest, Hip rest

• Master Switch

• Ele. Beacon

• Hazard Switch

• MCV : 3-Spool / 4-Spool / 5-Spool

• Integral Fork Positioner Carriage

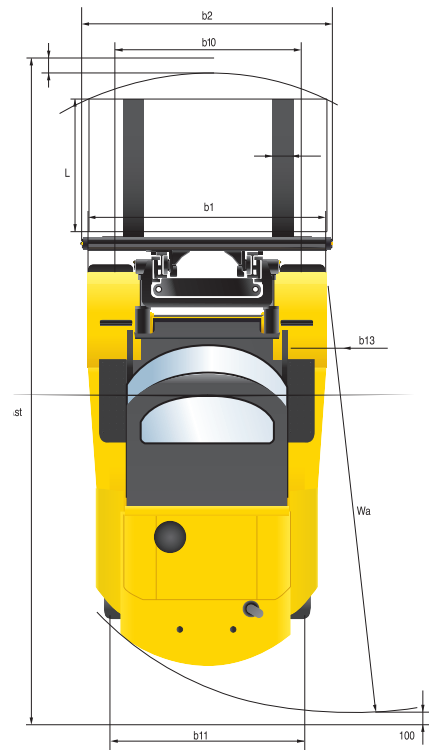
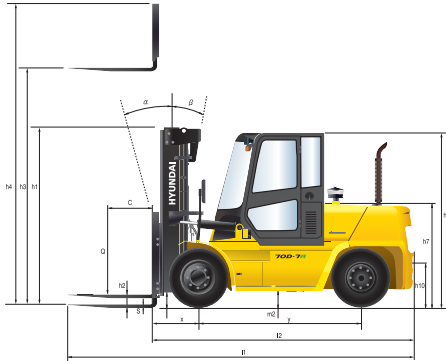
• Integral Side Shift Carriage

• Integral Side Shift With Fork Positioner Carriage

• Rear View Camera

• Load Indicator

Dimensions



Specifications

Identification					
1.1	Manufacturer		Hyundai		
1.2	Type	50D-7A	60D-7A	70D-7A	
1.3	Drive: Electric, Diesel, LPG Gas	DIESEL	DIESEL	DIESEL	
1.4	Type of operation: hand, pedestrian, standing, seated, order-picker	seated	seated	seated	
1.5	Load capacity (standard)	Q (kg)	5,000	6,000	7,000
1.6	Load center distance	c (mm)	600	600	600
1.8	Load distance, center of drive axle to forks	x (mm)	605	615	615
1.9	Wheelbase	y (mm)	2,300	2,300	2,300
Weights					
2.1	Service weight	kg	8,430	9,179	9,985
2.2	Axle loading, loaded front / rear	kg	11,955 / 1,475	13,447 / 1,732	14,938 / 2,047
2.3	Axle loading, unloaded front / rear	kg	4,312 / 4,118	4,275 / 4,904	4,238 / 5,747
Wheels, Chassis					
3.1	Tires : solid rubber (V), superelastic (SE), pneumatic (P), polyurethane (PE)		pneumatic	pneumatic	pneumatic
3.2	Tires size, front (Ø x width)		8.25-15-14PR	8.25-15-14PR	8.25-15-14PR
3.3	Tires size, rear (Ø x width)		8.25-15-14PR	8.25-15-14PR	8.25-15-14PR
3.5	Wheels, number front rear (x = driven wheels)		4 x 2	4 x 2	4 x 2
3.6	Track width, front	b10 (mm)	1,580	1,580	1,580
3.7	Track width, rear	b11 (mm)	1,604	1,604	1,604
Basic Dimensions					
4.1	Mast / fork carriage tilt forward / backward	degrees	15 / 10	15 / 10	15 / 10
4.2	Lowered mast height (standard)	h1 (mm)	2,515	2,515	2,515
4.3	Free lift	h2 (mm)	140	140	140
4.4	Lift height (standard)	h3 (mm)	3,030	3,030	3,030
4.5	Extended mast height (standard)	h4 (mm)	4,275	4,275	4,275
4.7	Overhead load guard (cab) height	h6 (mm)	2,500	2,500	2,500
4.8	Seat height / standing height	h7 (mm)	1,395	1,395	1,395
4.12	Coupling height	h10 (mm)	425	425	425
4.19	Overall length	l1 (mm)	4,700	4,770	4,820
4.20	Length to face of forks	l2 (mm)	3,500	3,570	3,620
4.21	Overall width	b1 (mm)	2,087	2,087	2,087
4.22	Fork dimensions (hook type) LxWxT	s / e / l (mm)	60 x 150 x 1200	60 x 180 x 1200	60 x 180 x 1200
4.23	Fork carriage ISO 2328, class / type A,B		Class IV	Class IV	Class IV
4.24	Fork carriage width	b2 (mm)	2,068 / 2,268	2,068 / 2,268	2,068 / 2,268
4.31	Ground clearance, loaded, under mast	m1 (mm)	195	195	195
4.32	Ground clearance, centre of wheelbase	m2 (mm)	220	220	220
4.33	Aisle width for pallets 1000 x 1200 crossways (L x W)	Ast (mm)	5,321	5,380	5,438
4.34	Aisle width for pallets 800 x 1200 lengthways (W x L)	Ast (mm)	5,321	5,380	5,438
4.35	Turning radius	Wa (mm)	3,306	3,365	3,423
4.36	Internal turning radius	b13 (mm)	1,224	1,224	1,224
Performance Data					
5.1	Travel speed, loaded/ unloaded (1/2)	km/h	32.9	32.8	32.8
5.2	Lift speed, loaded / unloaded	mm/s	440 / 460	430 / 460	420 / 460
5.3	Lowering speed, loaded / unloaded	mm/s	500 / 450	500 / 450	500 / 450
5.5	Drawbar pull, loaded	kg	7,535	7,578	7,610
5.7	Gradient performance, loaded	%	59.0	50.6	44.2
5.10	Service brake		FOOT (Hydraulic)	FOOT (Hydraulic)	FOOT (Hydraulic)
Engine					
6.1	Engine manufacturer / type		KUBOTA V3800	KUBOTA V3800	KUBOTA V3800
6.2	Engine power acc. To ISO 1585	kW/rpm	78.7 / 2,200	78.7 / 2,200	78.7 / 2,200
6.3	Maximum Torque	kg.f.m/rpm	38 / 1,500	38 / 1,500	38 / 1,500
6.4	No. of cylinder / cubic capacity	No./cm ³	4 / 3,769	4 / 3,769	4 / 3,769
6.5	Fuel consumption acc. to VDI cycle	ℓ/h	8.1	8.2	8.3
Other Details					
8.1	Type of drive control		Full Auto	Full Auto	Full Auto
8.2	Operating pressure (system/attachments)	bar	185	185	185
8.3	Hydraulic oil flow (attachments)	ℓ	105	105	105
8.4	Sound level at driver's ear according to DIN 12053	db (A)	76.8	76.8	76.8

* Standard and optional equipment may vary per country. Contact your Hyundai dealer for more information.

* The photos may include attachments and optional equipment that are not available in your area.

* Materials and specifications are subject to change without advance notice.

* All imperial measurements rounded off to the nearest pound or inch.

PLEASE CONTACT

RCV
Handling Machinery

HYUNDAI
HEAVY INDUSTRIES EUROPE

HHF037A, Industrial estate BBG3000, HAL-FAR
Malta
info@rcvmalta.com
+ (356) 2148 5681

EN - 2014.04 Rev 0

Hyundai Heavy Industries Europe N.V.
VOSSENDAAL 11, 2440 GEEL, BELGIUM TEL: (32) 14-56-2200 FAX: (32) 14-59-3405