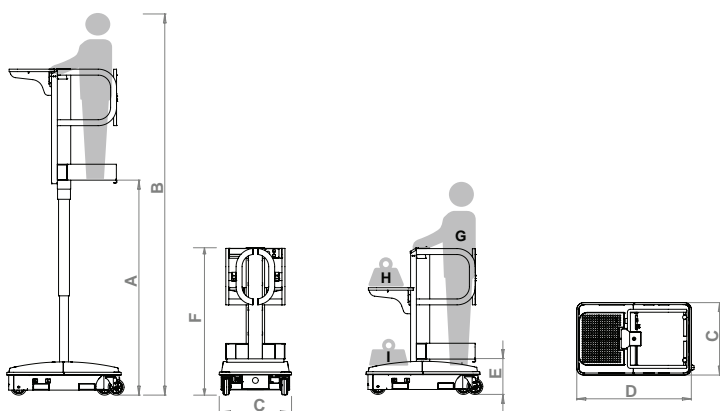


# Spin-Go





## MEASUREMENTS

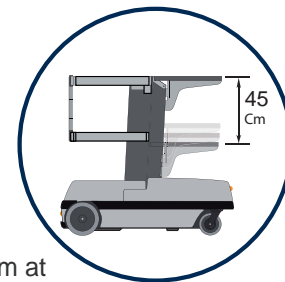
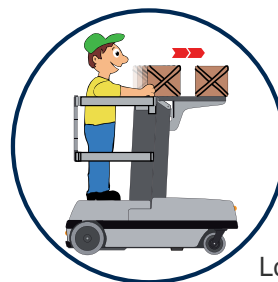
Specifications	Metric	Usa
Max. platform height	2168	A 7.11'
Max working height	4168	B 13.6'
Width	730	C 28.74'
Length	1155	D 45.47"
Entry height	363	E 14.29"
Height stowed	1480	F 58"
Operator bay capacity	130 Kg	G 286.6 lbs
Materials tray capacity	90 Kg	H 198.4 lbs
Transport hood tray capacity	90 Kg	I 198.4 lbs
Rated number of occupants	1 Person	
Unit total weight	280 Kg	617 lbs

**Spin-Go** push-around vertical platform is the valid alternative to ladders and podiums normally used in shops, supermarkets, warehouses, malls, offices, libraries and archives.

Easy and extremely Compact **Spin-Go** provides a safer and more efficient method of reaching highly positioned goods and merchandise, during stock replenishment, fit out, cleaning operations and much more. This versatile machine makes it possible to take the most advantages of their space, granting an effective space organization and consequently an increased assortment of articles immediately at hand.



Adjustable CARGO SHELF!  
- easily regulated while on board the machine – maximise operator's comfort!



Loading platform at maximum height corresponds to the mast. It is very easy to place even heavy packs, using the column as the setting base and letting it slide up to the material tray.



The unit will automatically brake when stationary, as the wheel brake is always on.  
When the operator needs to move the unit, he simply press a trigger style switch positioned on the platform's rail to release the brake while pushing the unit into the new working place.



Once on board just press a button to reach in a few seconds the desired working height up to 4,17mt.



Very light overall weight of the unit ONLY 617 lbs 280 Kg makes it easy and comfortable to be pushed around and able to be used on every floor, even mezzanine floor.



Operator's platform with easy and safe access achieved by:

- Easy entrance with dual swing gates
- Step height only 36cm
- No obstacles at the entry point