

70/80/100D-9V

STAGE V DIESEL FORKLIFT TRUCKS



Load Capacity
7000 kg – 10000 kg

Load Centre Distance
600 mm

Engine Power
81kW - 90kW

Lift Height
2700mm - 7650mm

UPGRADE YOUR OFFICE

The New Heavy-line Range of Hyundai Forklifts

If you're spending all your working day in an uncomfortable, cramped cab with badly organised controls, then it's time to upgrade your office. The new Hyundai 70, 80 and 100D-9V Heavy Line Forklifts are quieter and more comfortable, with easy-to-use fingertip controls for complete stress-free working. And with a new design that enables greater visibility and includes many added safety features, productive, peace of mind operating is assured.



UPGRADE YOUR PRODUCTIVITY

By listening to customer comments, we've been able to design our next generation cab. This extra insight has enabled us to improve operator comfort, control and convenience to allow more productive working in any environment. Easy-to-see, multi-functional displays also keep operators informed about machine performance and outside obstacles.

Designed for efficient operation

Quieter

We've reduced noise dramatically inside the cab by optimising engine capacity, reducing cooling fan RPM and redesigning the cabin structure.

Easy-to-use steering wheel A

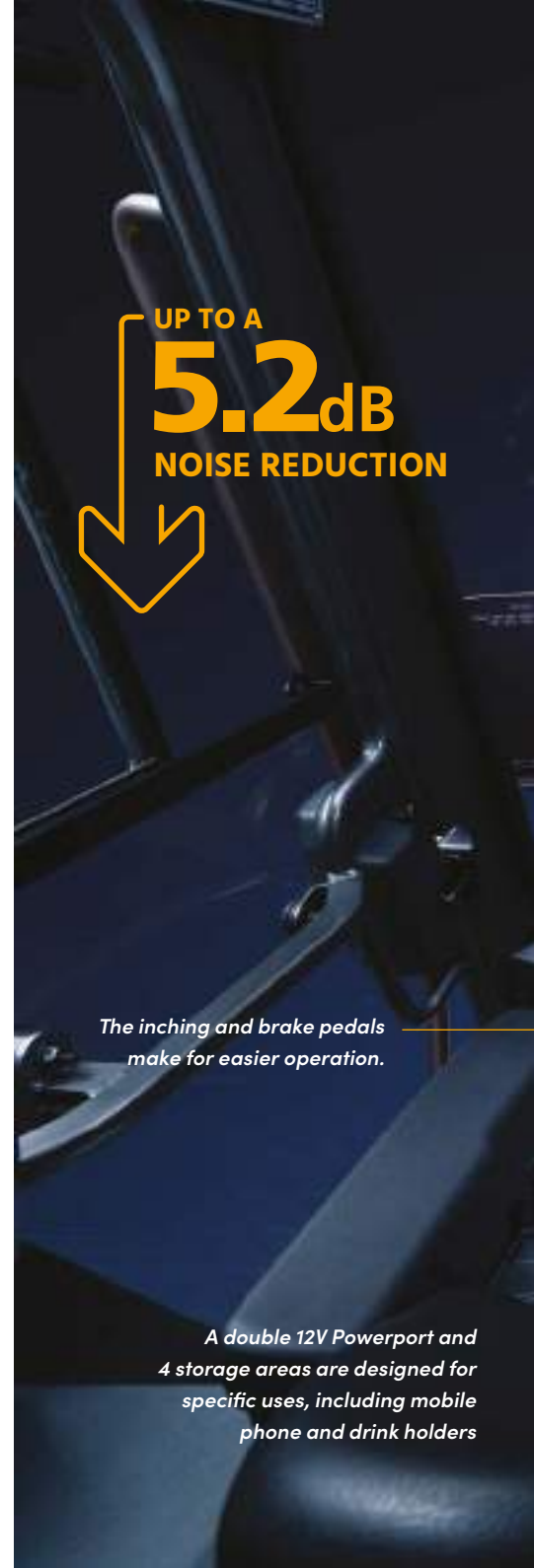
The problem of heavy handling has been significantly improved with a new steering wheel design. It can be adjusted up and down by 85mm and forwards and backwards by 36 degrees. In addition, operator control has been enhanced by reducing its diameter by 35mm.

Digital displays

A multi-functional digital display cluster delivers essential information in colour. It is equipped with various features such as function settings and malfunction diagnosis of major parts.

Air suspension & swivel seat ▼

Optimal riding comfort has been achieved with an optional air suspension and swivel seat. This also improves reverse driving and aids getting on and off, as the seat can be rotated 20 degrees to the right and 10 degrees to the left.



UP TO A
5.2dB
NOISE REDUCTION

The inching and brake pedals make for easier operation.

A double 12V Powerport and 4 storage areas are designed for specific uses, including mobile phone and drink holders

Stay comfortable

Working for long hours in the cab is no problem, with air conditioning through multiple air vents that control the air volume in four directions.

Increased visibility

Operator visibility has been improved using distortionless single curvature front glass that doesn't distort the view and sun visors.



Fingertip control ▶

Fine controllability has been improved by our new fingertip system which changes MCV control to dither control. The system provides fast response, within 0.1 seconds and gives the same controllability regardless of ambient temperature. All switches have been placed in one row, in order of use frequency. The AC control Dial is now integrated in the headliner.



UPGRADE YOUR EFFICIENCY

With a new reliable Stage V engine and upgraded transmission along with many new features and technologies, the new Hyundai Heavy Line Forklifts are more fuel efficient compared to our previous models. And when you add improved serviceability thanks to the electronically tilting cabin, plus Hyundai's remote management system and world-class support, you're looking at a low cost of ownership that's a great business investment.

EU Stage V Certified Engine

The 100D-9V is equipped with a reliable Cummins F series engine, widely used throughout the world, satisfying the latest European emission regulations. The EGR (Exhaust Gas Reduction) system was removed to improve energy efficiency and reliability. A new DPF has been added, in addition to the existing DOC and SCR.

The 70D-9V and 80D-9V are equipped with a powerful 2.9L HMC D4CC diesel engine that produces 81 kW while complying with European Stage V environmental regulations. It also achieves impressive cost savings by delivering excellent performance with low fuel consumption rates.



The technology to improve efficiency

Upgraded ZF transmission

Responsiveness and shift timing are optimised, and SIL 2 European safety function regulation is satisfied. In addition, the shifting system boasts increased reliability as a non-contact shifting lever not affected by moisture is applied.

Load sensing hydraulics

Fuel efficiency is dramatically improved by using an optimised engine, applying a Load Sensing Variable Displacement Pump and a Load Sensing MCV.

Engine output selection button

On the engine output button, STD mode is set to 80% output of PWR mode and can be selected for reducing fuel consumption. PWR mode is available for full load transit or uphill driving.



Engine output button



Improved
FUEL
EFFICIENCY
 (Compared to previous model)



Greater visibility improves productivity

Usually a 3-stage mast compromises forward visibility due to the primary cylinder being in the centre. Our 3-stage TS mast provides a wider view by placing the primary cylinder on the left and right sides.



Tilt lock function ▲

This new addition locks the back tilt to prevent the natural sagging of the mast.

UPGRADE YOUR SAFETY

The Hyundai approach to safety goes far beyond just meeting regulatory standards. We prioritise safety in every aspect of our machines and work with our customers to keep improving protection for operators, co-workers, buildings, materials and of course the machines themselves.

Visibly safer

3-stage TS mast

The 3-stage TS mast provides a wider working view by placing the primary cylinder on the left and right sides.

Minimising blind spots

We've minimised blind spots in the field of view by increasing the glass area and there is now no filler in the middle of the door. This also prevents damaging the glass when moving objects in the cabin.

Heated side mirrors

A large side mirror is installed on the front wheel fender to secure a wider rear view. Optionally the mirror can be heated, preventing freezing.

Rear view camera ▲

The addition of an optional rear view camera provides extra peace of mind for operators, especially when working in confined spaces.



Extra safety features

Password protection

A password can be set to prevent unauthorised driving and theft. The engine cannot be started without the password.

Auto-parking brake

When the engine stops or OPSS starts, the parking brake is automatically activated to prevent human error. If the driver needs to use the parking brake while the engine is running, they can apply or release it using a dedicated button.

OPSS system

The OPSS restricts driving, lifting, and tilting when the operator leaves the driver's seat in order to prevent accidents.

Speed limit

A maximum driving speed can be set to prevent accidents caused by exceeding the speed limit. Even with the maximum driving speed set hill-climbing and mast working performance is maintained.

Road slope (STD) and steering angle display **OPTION**

The road slope is sensed and displayed in real time. When the set value is exceeded, the symbol turns red and a warning buzzer sounds. The steering tyre position is also displayed in real time.



Additional options for safety include Auto Tilting which automatically maintains the level of the fork with the ground.

UPGRADE YOUR MAINTENANCE

Our new Heavy Line Diesel Forklifts are designed with quick, low-effort servicing in mind, while every component and material has been optimised to ensure a long, trouble-free life. Hyundai's innovative Hi MATE telematics system enables full monitoring of machine activity and performance for greater productivity and profitability.

Less maintenance. More uptime

Improved routine maintenance

Easy access for maintenance means regular checks get done faster, giving you more uptime and reducing operating costs. Ground level access to filters, lube fittings and master switches make servicing more convenient.

Longer service intervals

The fuel filter service interval on the new engine has been increased by 100% – from 500 hours to 1,000 hours, greatly to reducing maintenance costs.

Easy access tilting cab

The cab can be tilted up to 52 degrees, enabling easy access to the powertrain, hydraulics and electrical system. The cooling system and engine consumables can be easily managed by opening the cover of the wing-type engine bay.



Self-diagnosis of engine and consumables management

The history of failure details can be checked on the cluster screen. And when the replacement cycle of any consumables is entered into the cluster, parts that are due replacement are displayed on the monitor.

No cab tilting when the door is opened

If the right side door is open, damage to it is prevented by no cabin tilting. The cabin can be opened and closed both automatically or manually.

Tankless-type compressor

Unlike tank-type compressors that require time to be refilled, our tankless-type compressor instantly delivers compressed air at a constant pressure.

Automatic DPF & SCR regeneration

The DPF and SCR are automatically regenerated with the help of hydraulic engine load. The DPF Filter element can be easily removed through the counterweight opening.

Hi MATE

It's convenient, easy and valuable. Hi MATE, Hyundai's remote management system, utilises GPS-satellite technology to provide customers with the highest level of service and product support available.

Increase productivity

By providing information such as service hours, idle time and fuel consumption, Hi MATE saves you money and improves productivity. Service alerts enable better maintenance planning.

Monitor your machines

Hi MATE's real-time location information allows convenient monitoring of your equipment via the Hi MATE website or mobile app.

Improve Security

Protect your equipment from theft or unauthorised usage. Hi MATE's geofencing alerts notify you automatically when a machine leaves a predetermined zone.

ECD

(Engine Connected Diagnostics)

ECD provides troubleshooting information as well as tailored servicing. Service technicians are supported with remote diagnostics allowing them to achieve quick resolution rate

Mobile fleet app

Our Mobile Fleet app provides all the information you need to run your fleet efficiently and economically.



Keeping you covered

Hyundai genuine parts and accessories are designed to keep your machine running at optimum performance, providing increased uptime, comfort and productivity. Our 13000m² European Parts Warehouse guarantees 24-hour delivery across our dealer network.



TAKE THE TOUR!



UPGRADE YOUR OFFICE

- New Next Generation cab
- Reduced cabin noise (up to 5.2dB)
- Multi-functional digital display cluster
- Air suspension & swivel seat OPTION
- Air conditioning
- 1-piece, distortionless glass
- Fingertip controls

UPGRADE YOUR EFFICIENCY

- Reliable Stage V Cummins B series engine
- Improved fuel efficiency
- No EGR (Exhaust Gas Reduction) system on 100D-9V
- New added DPF
- Upgraded ZF transmission
- Load sensing hydraulics
- Engine output selection button
- Greater visibility for improved productivity
- Kessler front axle



UPGRADE YOUR MAINTENANCE

- Hi MATE remote management system
 - ECD (Engine Connected Diagnostics)
 - Mobile fleet app
- Easy access tilting cab
- Longer lasting fuel filter
- Ground level routine maintenance
- Tankless-type compressor
- Automatic DPF & SCR regeneration

UPGRADE YOUR SAFETY

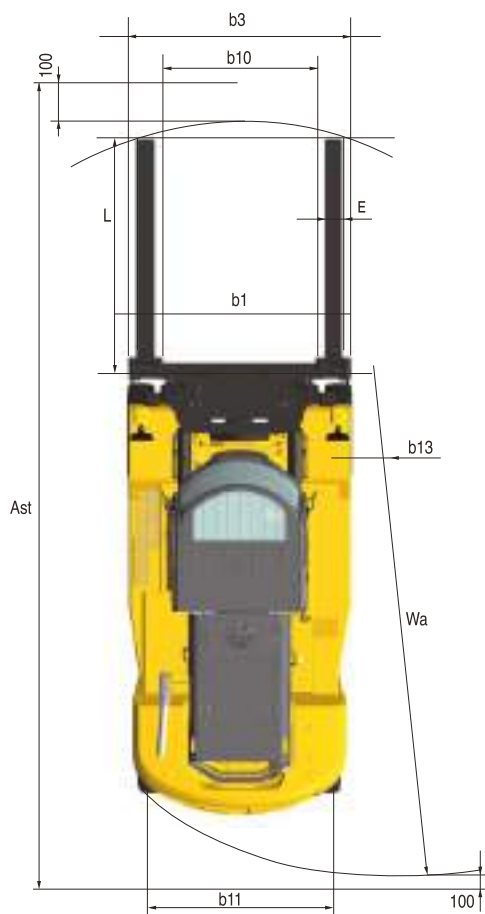
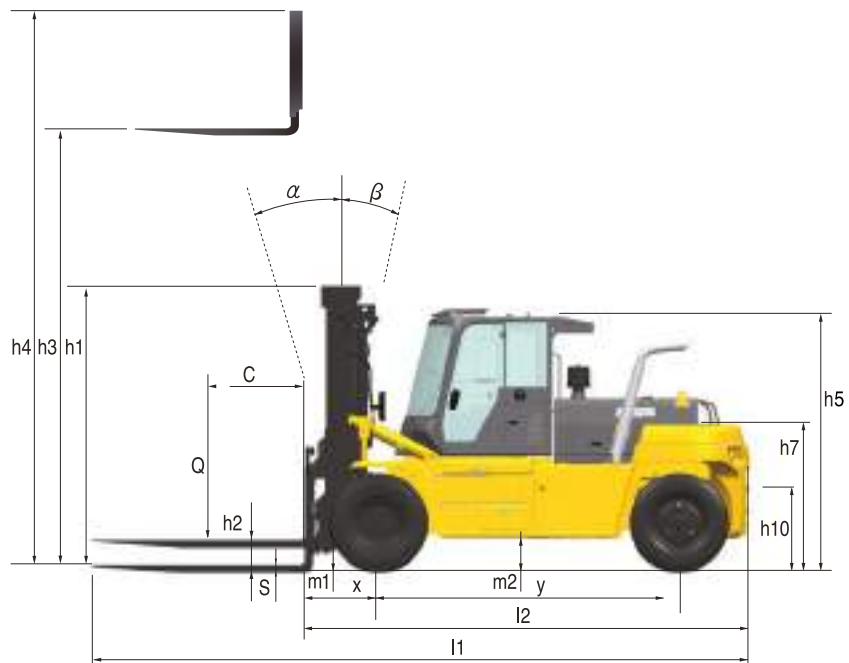
- 3-stage TS mast with wider field of view
- Increased glass area
- Rear view camera
- Heated side mirror
- Password to start engine
- Auto-parking brake
- OPSS system
- Travel speed limit
- Road slope warning alarm

70/80/100D-9V

SPECIFICATIONS

IDENTIFICATION						
Manufacturer (abbreviation)	1.1			Hyundai	Hyundai	Hyundai
Manufacturer's type designation	1.2			70D-9V	80D-9V	100D-9V
Drive : electric (battery or mains), diesel, petrol, fuel gas	1.3			Diesel	Diesel	Diesel
Type of operation: hand, pedestrian, standing, seated, order-picker	1.4			Seated	Seated	Seated
Load capacity / rated load	1.5		kg	7000	8000	10000
Load center distance	1.6	C	mm	600	600	600
Load distance, center of drive axle to fork	1.8	x	mm	610	690	690
Wheelbase	1.9	y	mm	2300	2500	2750
Service weight	2.1		kg	10145	11582	13074
Axle loading, loaded front/rear	2.2		kg	15062 / 2084	17233 / 2349	20437 / 2637
Axle loading, unloaded front/rear	2.3		kg	4364 / 5781	5105 / 6477	5637 / 7437
Tires : solid rubber, superelastic, pneumatic, polyurethane	3.1			P	P	P
Tire size, front	3.2			8.25-15-14PR	9.00-20-14PR	9.00-20-14PR
Tire size, rear	3.3			8.25-15-14PR	9.00-20-14PR	9.00-20-14PR
Wheels, number front / rear (x = driven wheels)	3.5			4x2	4x2	4x2
Tread, front	3.6		mm	1578	1632	1693
Tread, rear	3.7		mm	1602	1700	1700
Tilt of mast/fork carriage forward/backward	4.1	α / β	degree	15/10	15/10	15/10
Height, mast lowered	4.2	h1	mm	2515	2675	2850
Free lift	4.3	h2	mm	140	145	150
Lift height	4.4	h3	mm	3030	3040	3025
Height, mast extended	4.5	h4	mm	4320	4375	4360
Height of overhead guard (cabin)	4.7	h5	mm	2595	2680	2680
Seat height / stand height rel. To sip	4.8	h7	mm	1536	1650	1650
Coupling height	4.12	h10	mm	508	602	602
Overall length	4.19	l1	mm	4875	5170	5465
Length to face of forks	4.20	l2	mm	3675	3970	4265
Overall width	4.21	b1	mm	2088	2194	2265
Fork dimensions	4.22	l x e x s	mm	65x150x1200	70x180x1200	75x180x1200
Fork carriage iso 2328, class / type A, B	4.23			Class IV	Class IV	-
Fork-carriage width	4.24	b3	mm	2068	2268	2265
Ground clearance, below mast, loaded	4.31	m1	mm	195	250	250
Ground clearance, center of wheelbase	4.32	m2	mm	224	306	306
Aisle width for pallets 1000 x 1200 crossways	4.34.1	Ast	mm	5251	5590	5590
Aisle width for pallets 800 x 1200 lengthways	4.34.2	Ast	mm	5451	5790	5790
Turning radius	4.35	Wa	mm	3436	3700	3965
Smallest pivot point distance	4.36		mm	1224	1354	1354
Travel speed, loaded / unloaded	5.1		km/h	29.8/33.3	30.2/34.3	28.4/32.7
Lift speed, loaded / unloaded	5.2		mm/s	450/480	440/500	440/500
Lowering speed, loaded / unloaded	5.3		mm/s	500/500	500/500	500/500
Drawbar pull, loaded / unloaded	5.5		N	-	-	-
Max. Drawbar pull, loaded / unloaded	5.6		N	76897	74123	79355
Gradeability, loaded / unloaded	5.7		%	-	-	-
Max. Gradeability, loaded / unloaded	5.8		%	45.3/	37.1/	31.5/
Acceleration time, loaded / unloaded	5.9		s	-	-	-
Service brake	5.10			Hydraulic	Hydraulic	Hydraulic
Engine manufacturer / type	7.1			HMC D4CC	HMC D4CC	CMS F3.8
Engine power acc. To ISO 1585	7.2		kW/rpm	81/2200	80.9/2200	90/2200
Maximum torque	7.3		kgf m/rpm	42.8/1600	42.8/1600	51/1500
No. Of cylinders / displacement	7.4		EA/cc	4/2891	4/2891	4/3726
Fuel consumption acc. To vdi cycle*	7.5		l/h	4.2	4.1	4.8
Type of drive control	8.1		AC	Full Auto	Full Auto	Full Auto
Operating pressure, system / attachments	8.2		bar	190/130	186/127	226/142
Oil volume for attachments	8.3		LPM	110	110	110
Sound level at the driver's ear according to DIN 12053	8.4		dB (A)	74.6	78.2	77.3
Trailer coupling, type din	8.5			Pin	Pin	Pin

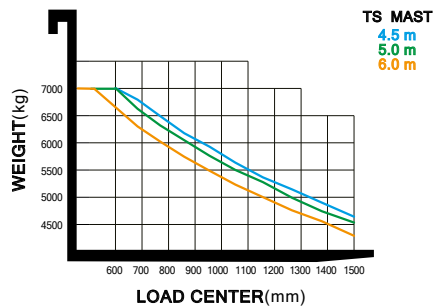
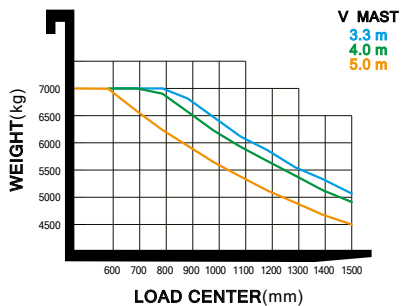
DIMENSIONS



70D-9V

MAST SPECIFICATION

70D-9V - STANDARD: HOOK-ON TYPE FORK & CARRIAGE												
Mast type	Maximum fork height	Overall height				Free lift height		Tilt angle		Load capacity without side shift at 600 mm LC	Load capacity with side shift at 600 mm LC	Truck weight unloaded
		Lowered	Extended		With load backrest	With std load backrest	Fwd	Bwd				
			Without load backrest	With std load backrest								
mm	mm	mm	mm	mm	mm	mm	deg	deg	kg	kg	kg	
V	V300	3030	2515	4211	4320	140	140	15	10	7000	7000	10145
	V330	3330	2665	4511	4620	140	140	15	10	7000	7000	10196
	V350	3530	2765	4711	4820	140	140	15	10	7000	7000	10244
	V370	3730	2865	4911	5020	140	140	15	10	7000	7000	10331
	V400	4030	3015	5211	5320	140	140	15	10	7000	7000	10414
	V450	4530	3315	5711	5820	140	140	15	10	7000	7000	10614
	V500	5030	3565	6211	6320	140	140	15	10	7000	6920	10695
	V550	5530	3815	6711	6820	140	140	15	10	7000	6730	10774
3-stage full free lift	TF/TS450	4560	2565	5765	5805	1320	1275	15	10	7000	6840	10810
	TF/TS500	5060	2765	6265	6305	1520	1475	15	10	7000	6650	10902
	TF/TS560	5600	2965	6805	6845	1720	1675	15	10	6700	6450	11013
	TF/TS600	6060	3165	7265	7305	1920	1875	15	10	6500	6290	11101
	TS730	7330	3665	8535	8575	2460	2375	15	10	5300	5860	11299

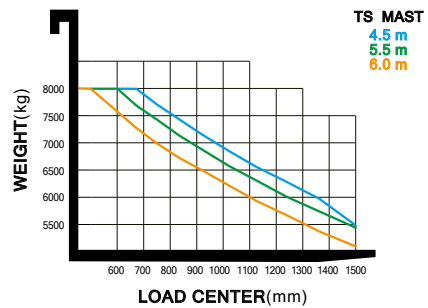
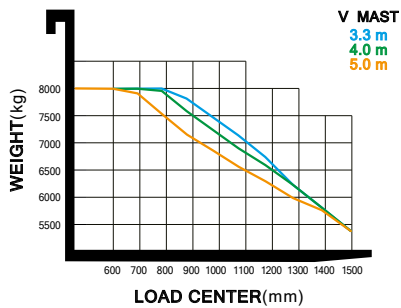


80D-9V

MAST SPECIFICATION

80D-9V - STANDARD: HOOK-ON TYPE FORK & CARRIAGE

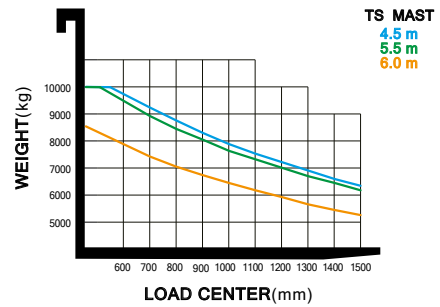
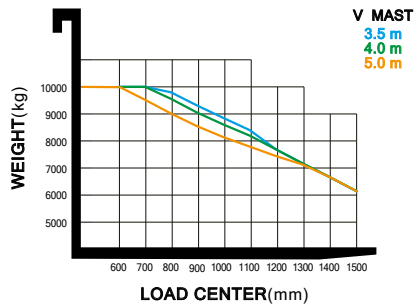
Mast type	Maximum fork height	Overall height			Free lift height		Tilt angle		Load capacity without side shift at 600 mm LC	Load capacity with side shift at 600 mm LC	Truck weight unloaded	
		Lowered	Extended		With load backrest	With std load backrest	Fwd	Bwd				
			Without load backrest	With std load backrest								
mm	mm	mm	mm	mm	mm	deg	deg	kg	kg	kg		
2-stage limited free lift	V300	3040	2675	4348	4350	150	150	15	10	8000	8000	11430
	V330	3340	2825	4648	4650	150	150	15	10	8000	8000	11451
	V350	3540	2925	4848	4850	150	150	15	10	8000	8000	11500
	V370	3740	3025	5048	5050	150	150	15	10	8000	8000	11532
	V400	4040	3175	5348	5350	150	150	15	10	8000	8000	11581
	V450	4540	3475	5848	5850	150	150	15	10	8000	8000	11796
	V500	5040	3725	6348	6350	150	150	15	10	8000	8000	11878
	V550	5540	3975	6848	6850	150	150	15	10	8000	7700	11959
3-stage full free lift	TF/TS450	4570	2750	5902	5880	1415	1440	15	10	8000	8000	12066
	TS500	5070	2950	6402	6380	1615	1640	15	10	8000	7800	12169
	TS550	5570	3150	6902	6880	1815	1840	15	10	8000	7600	12271
	TS600	6070	3350	7402	7380	2015	2040	15	10	7300	7400	12374
	TS730	7650	3970	-	-	2635	-	15	6	6000	-	12795



100D-9V MAST SPECIFICATION

100D-9V - STANDARD: HOOK-ON TYPE FORK & CARRIAGE

Mast type	Maximum fork height	Overall height				Free lift height		Tilt angle		Load capacity (600mm LC)	Truck weight unloaded 100D-9V	Truck weight unloaded 100D-9V
		Lowered	Extended		With load backrest	With std load backrest	Fwd	Bwd				
			Without load backrest	With std load backrest								
mm	mm	mm	mm	mm	mm	deg	deg	kg	kg	kg		
Standard	V300	3025	2850	-	-	150	-	15	10	10000	13074	12779
	V350	3525	3100	-	-	150	-	15	10	10000	13135	12840
	V400	4025	3400	-	-	150	-	15	10	10000	13208	12913
	V450	4525	3650	-	-	150	-	15	10	10000	13385	13090
	V500	5025	3900	-	-	150	-	15	10	10000	13446	13151
	V550	5525	4200	-	-	150	-	15	10	9000	13520	13225
Triple Stage	TS450	4535	2995	-	-	1665	-	15	10	9700	13948	13653
	TS500	5035	3195	-	-	1865	-	15	10	9400	14078	13783
	TS550	5535	3395	-	-	2065	-	15	10	8600	14191	13896
	TS600	6035	3595	-	-	2265	-	15	10	7800	14400	14105
	TS750	7535	4195	-	-	2865	-	15	6	7000	14720	14425



STANDARD/OPTIONAL EQUIPMENT

CABIN & INTERIOR	70D-9V	80D-9V	100D-9V
New Cabin	●	●	●
Wiper for Top window			
A/C & Heater*	●	●	●
Seat			
Long Back Seat - Full Suspension	●	●	●
Seat Options - Air suspension & Swivel seat, Leather Seat, Heat			
Seat Accessories - Orange belt, Arm rest, Buckle switch	●	●	●
Lever			
Lever - General	●	●	●
Finger Tip			
Bluetooth Radio	●	●	●

*The air conditioning system contains fluorinated greenhouse gas refrigerant R134a. (Global Warming Potential: 1,430) The system contains 0.55 kg refrigerant representing a CO₂ equivalent of 0.787 metric tonnes.

MAST & ATTACHMENT	70D-9V	80D-9V	100D-9V
Mast			
Standard Mast	V400	V400	V400
2-Stage Mast	●	●	●
3-Stage Mast			
Fork			
Standard Fork	2440mm	2440mm	2440mm
Fork Options - 1,200mm – 2,600mm Fork			
Carriage			
Shaft(pin) Type Carriage	●	●	●
Carriage Options			
Shaft	●	●	●
Sliding			
Sliding & Holder			
Simple type			
Attachment			
Integral Side Shift			
Fork Positioner – Independent, Synchronized			
Side Shift & Positioner – Independent, Synchronized	●	●	●

HYDRAULIC	70D-9V	80D-9V	100D-9V
4 Spool MCV + attached piping for V400 Mast	●	●	●
MCV Options - 5 Spool			
Attached Piping for All MCVs & Masts			

TYRE	70D-9V	80D-9V	100D-9V
Pneumatic Tires	●	●	●
Tire Options - Solid Tires			

VISIBILITY	70D-9V	80D-9V	100D-9V
Lamp			
Working Lamp - Front & Rear LED	●	●	●
Mirror			
L/H & R/H Back Mirror & Panorama Mirror	●	●	●
Heated L/H & R/H Back Mirror			
Camera			
Rear Camera			

CONVENIENCE	70D-9V	80D-9V	100D-9V
Auto Tilt			
Load Sensor	●	●	●
Load Sensor & Angle Sensor			
Accumulator			
Unidirectional Fan	●	●	●

SAFETY	70D-9V	80D-9V	100D-9V
Seat Belt interlock	●	●	●
LED Beacon Lamp			

OTHERS	70D-9V	80D-9V	100D-9V
Air Compressor			
Under Cover			
Oil - VG46	●	●	●
Hi-MATE (General)			
Hi-MATE (Premium)			

- Standard
- X Not available

Standard and optional equipment may vary. Contact your Hyundai dealer for more information.

The machine may vary according to International standards.

The photos may include attachments and optional equipment that are not available in your area.

Materials and specifications are subject to change without advance notice.

HYUNDAI

Specifications and design are subject to change without notice. Pictures of Hyundai Material Handling Europe products may show other than standard equipment. This brochure is intended for European markets only.

Hyundai Construction Equipment Europe NV
Hyundailaan 4, 3980 Tessenderlo, Belgium
Tel: (+32) 14-56-2200 Fax: (+32) 14-59-3405

MOVING YOU FURTHER

Contact your Hyundai dealer.
hyundai-mh.eu



Handling Machinery LTD

HHF037A, Industrial estate
BBG3000 HAL-FAR
Malta

+356 2148 56 81

info@rcvmalta.com

 **HYUNDAI**
MATERIAL HANDLING

HY-MH-00032. 06/2023. EN. ISSUE 1